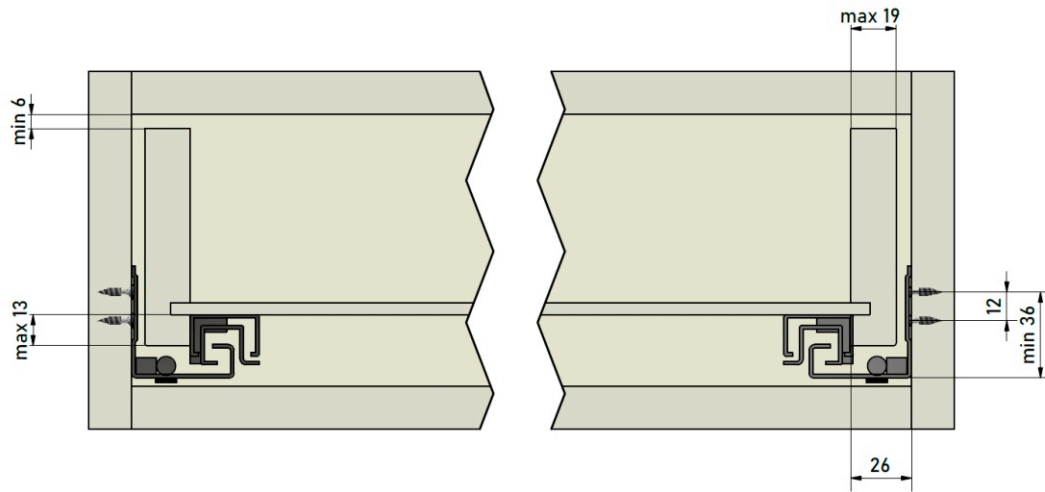


Assembly dimensions

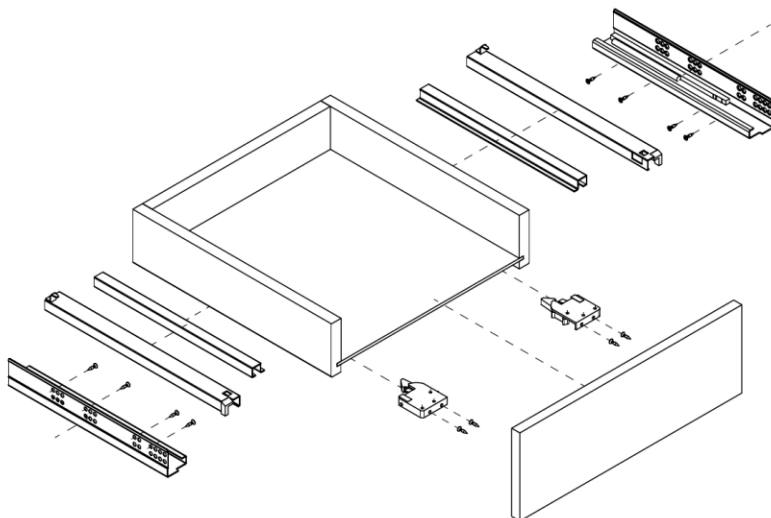
Front view of the drawer



View of the drawer from the cabinet carcass side



Assembly of drawer slides to the drawer and to the cabinet carcass





Drawer drilling holes

